

## SVL03-0200

High Bay Light Specification



### Product Features

Using spacecraft as design elements and a variety of technologies to create. And the appearance of the product is full of craft sense, both practical and beautiful.

Radiation fins, three-dimensional convection air duct, strengthen convection heat dissipation, effectively reduce the temperature of light source, prolong the life of lamps.

Water proof design, IP rating is IP65

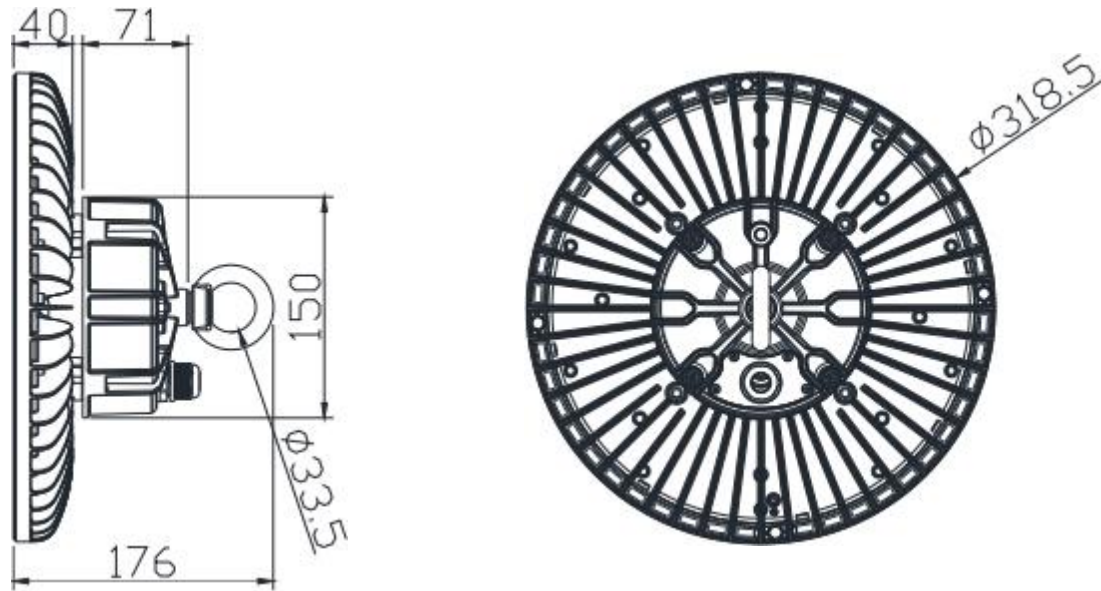
Microwave and infrared sensors are optional, lamp can automatically change with the intensity of ambient light.

Equipped with reflective cover, it can reduce the glare.

### Application

Widely used in other places require high-bay lighting factories, workshops, warehouses, logistics centers, exhibition halls, stadiums, shipyards, mines, highway tall stations, gas stations, supermarkets, farmers markets and the like.

## Product Dimension



## Product Parameter

### Optical Parameter

Light Source	3030 / 280PCS
Beam Angle	60°, 90°
Luminous Flux	27000lm
Standard light efficiency	135lm/W
CCT	Natural White    Cold White
CRI	Ra>70
Optical attenuation rate	< 1%
Warranty	3 years

### Electrical Parameters

Input Voltage	100~277VAC
Frequency Range	50-60Hz
Power	200W
PF	>0.9
Start-up time	<0.5s
Surge Proof Voltage	3.5KV

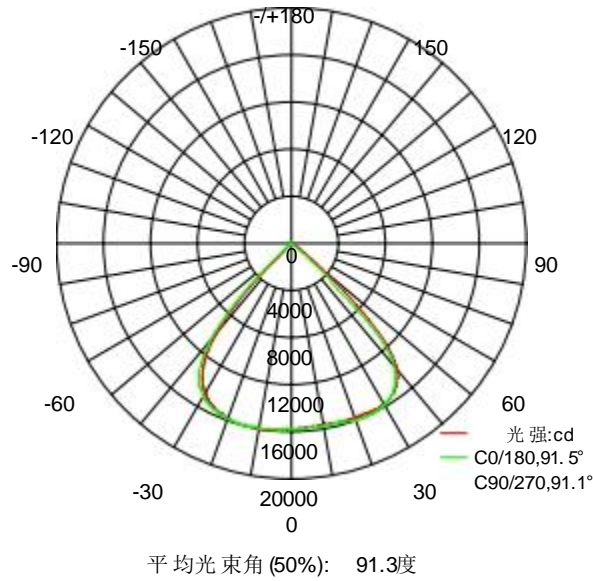
### Structure Parameter

Material	ADC12
Package Dimension	380*380*170mm(L*W*H)
Quantity in each carton	1
Net Weight	3.55Kg
Gross Weight	4.6Kg

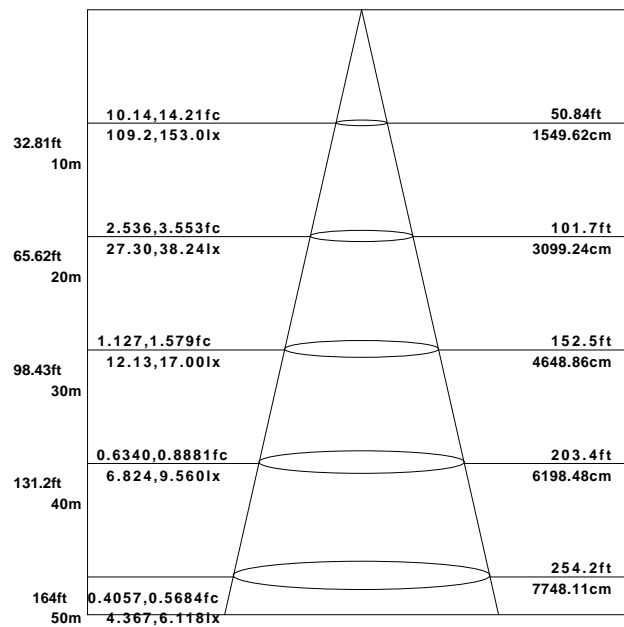
### General Parameter

Operation Temp	-25°C~45°C、 20%~95%RH
Storage Temp	-40°C~80°C、 10%~95%RH
Environmental Protection	ROHS
Directive	ROHS
IP rating	IP65
IK rating	IK08

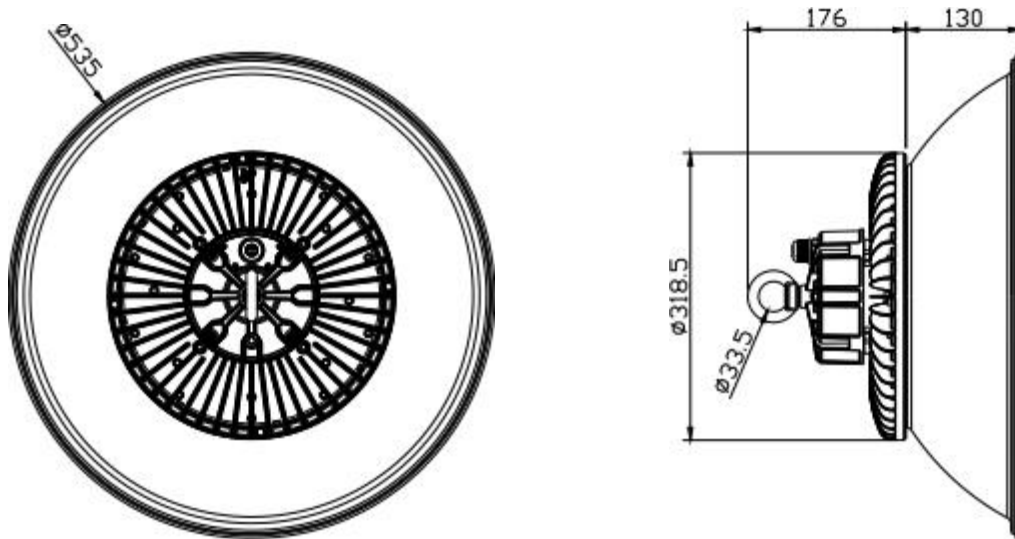
Light distribution curve



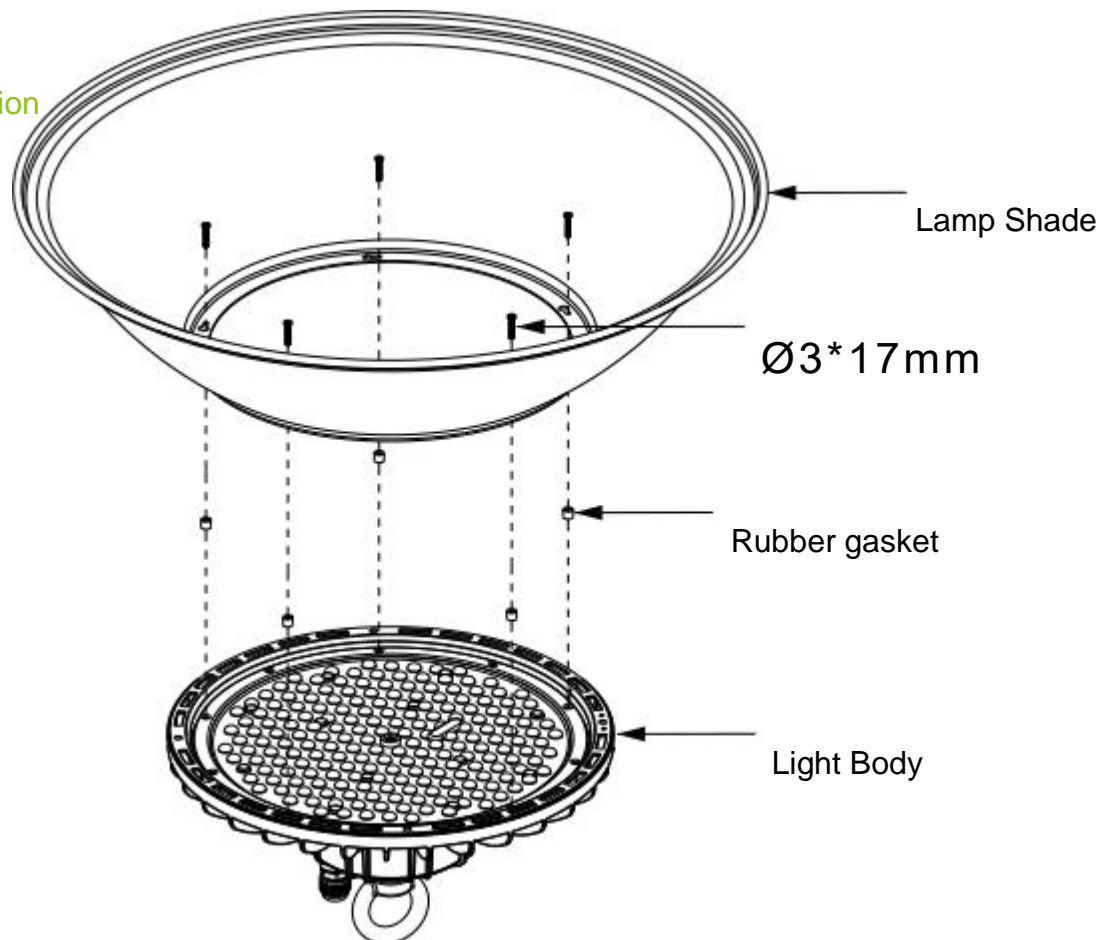
Average Illuminance Curve



Lampshade dimensions



Lampshade Installation



Package Dimension

Paper holder : 380\*380\*170 mm

Carton : 368\*368\*150 mm

