

# LED BAY LIGHT SPECIFICATION



Name	400W LED bay light
Number	S F-H-B400
Version	01A
Date	Oct 28th, 2017

## Introduce

We produce extraordinary LED bay light. Our bay light run ahead of peer at heat dissipation, lifespan, structure technology. Meanwhile, we have full range of LED bay light series, so we can meet customers' multiplex requirement. One word to describe: Suitable LED Bay lights are in HeQing!

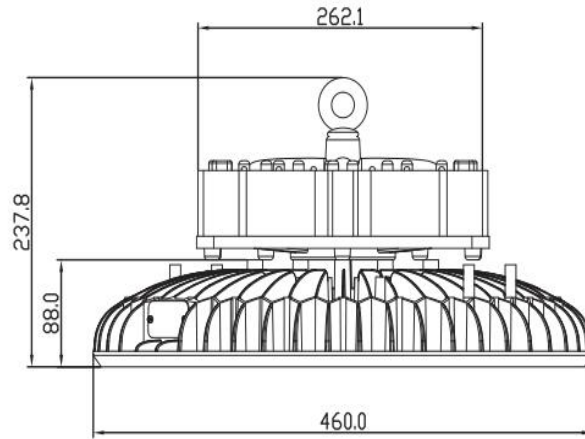
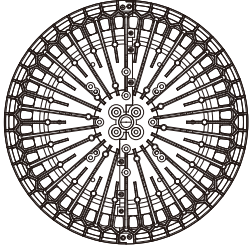
- Nice exterior and with small size
- Wide aluminum plate design, good heat dissipation, low light decay
- Driver external, easy for maintenance
- Cover optional: transparent/ frosted
- Installation: Hook hanging
- Protection grade: IP65/IP54

## Application

Widely used in workshop, logistics warehouse, underground parking lot, gymnasium, supermarket and etc.



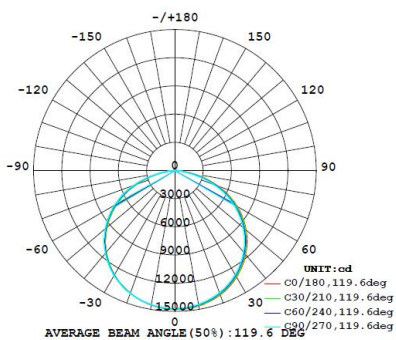
## Measurement



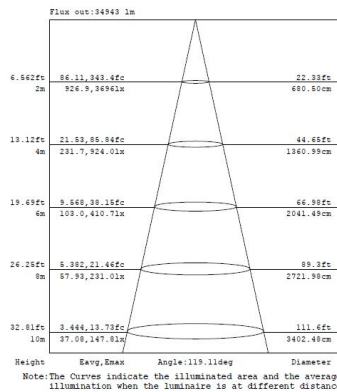
## Technical parameter

Model No.	S F-H -B 400
Power	400W
Luminous	56500±5% LM
Input voltage	AC 100-265V 50/60Hz
Power factor	0.95
LED quantity	580 PCS
Color temperature	WW: 2800-3200K / NW: 4000-4500K / PW: 5500-6500K
Color rendering index	> 80
Viewing angle	120°
Ambient temp for working	-40°C - +60°C
Ambient temp for storage	-40°C - +65°C
LED lifespan	> 50,000 hrs
Shell color	Black
Protection grade	IP65

## Distribution Curve of Meridian

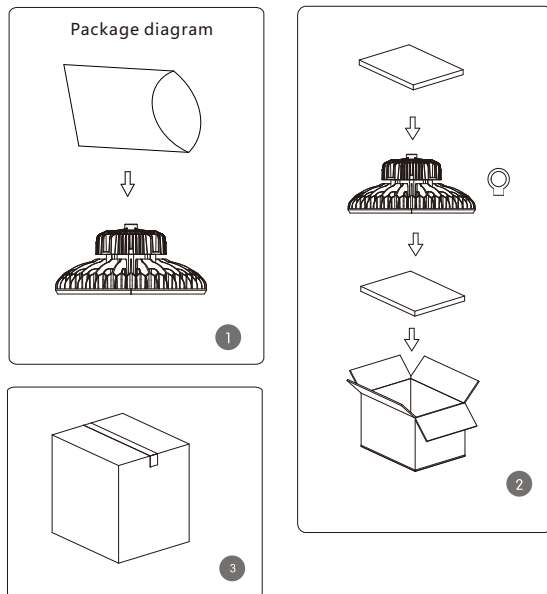


## Illumination Cone Curve



## Package

Inner carton size	/
Net weight	13.5 KG
Gross weight	14.2 KG
Q'ty/Master carton	1 pcs
Master carton	540*540*325 MM



## Instruction



### Warning

The rated operational voltage is AC100~265V, 50/60Hz. It should avoid wide voltage fluctuation. The input voltage should not be more than rated operational voltage.

### Caution

- The lamp must be installed by a professional electrician in accordance with the applicable and appropriate electrical codes and this instruction.
- In order to prolong the life span of the lamp, please try to install the lamp under the condition which better for heat dissipation.
- First check if the site can afford the weight of more than 1.5 times of the lamp, if not, please do not install.

## Installation

1. Turn the hook to the right to tighten it into the lamp body.
2. Test light the lamp before hanging.
3. Hang up the fixture to the hook from the ceiling securely. Assure lamp body installed tight, and then connect the power cable and turn on the lamp.



### Attention :

- Adjust the lamp to correct angle before tightening the screws.
- Properly insulate the bare cables to avoid short circuit.
- Make sure the lamp remain secure to keep it from falling off or turning.
- The green-yello wire must be grounded to guard against any electric leakage or accident.

## Maintenance

- To keep best light effect, please clean the light on time (suggest once a year).
- Clean the lamp only with a soft dry cloth, don't use chemical solvents, and only after switching off the electricity, to prevent the surface layer of rust-proof and antiseptic from being damaged.
- Turn off power in case of any maintenance.

## Warranty

Under normal usage and storage, we give 3 years warranty on all of our products from date of sale. Please note that any damage or breakdown caused by improper installation or application is out of warranty. Any failure is found in terms of product quality within warranty period, we will replace or change the product or component for free. If over the warranty period, we will charge the appropriate material and labor costs.