

# SIKOV

L I G H T I N G

## 200W LED HIGH BAY LIGHT

### Specification:

Model no:	CR-HBL 200W
Power:	200W
dimension:	φ 367x459mm
Input voltage:	AC85-265V
Frequency range:	50~60HZ
LED source:	CREE XTE 100pcs LEDs
Housing	Aluminum
CCT:	2700K-7000K
Driver:	MEANWELL driver
lumen:	25000-26000lm
Power facotor:	PF > 0.97
Lamp's efficiency:	>85%
Working Ambient temperature&Humidity:	-25~+50°C(RH15~95%)
IP rate:	IP65
warranty	5years
Certificates	CE ROHS

## 300W LED HIGH BAY LIGHT

### Specification:

Model no:	CR-HBL 300W
Power:	300W
dimension:	φ 367x459mm
Input voltage:	AC85-265V
Frequency range:	50~60HZ
LED source:	CREE XTE 160pcs LEDs
Housing	Aluminum
CCT:	2700K-7000K
Driver:	MEANWELL driver
lumen:	35000-36000lm
Power facotor:	PF > 0.97
Lamp's efficiency:	>85%
Working Ambient temperature&Humidity:	-25~+50°C(RH15~95%)
IP rate:	IP65
warranty	5years

Certificates	CE ROHS
--------------	---------

**400W LED HIGH BAY LIGHT**

**Specification:**

Model no:	CR-HBL 400W
Power:	400W
dimension:	φ 367x497mm
Input voltage:	AC85-265V
Frequency range:	50~60HZ
LED source:	CREE XTE 200pcs LEDs
Housing	Aluminum
CCT:	2700K-7000K
Driver:	MEANWELL driver
lumen:	46000-47600lm
Power facotor:	PF>0.97
Lamp's efficiency:	>85%
Working Ambient temperature&Humidity:	-25~+50°C(RH15~95%)
IP rate:	IP65
warranty	5years
Certificates	CE ROHS

## 500W LED HIGH BAY LIGHT

### Specification:

Model no:	CR-HBL 500W
Power:	500W
dimension:	φ 367x497mm
Input voltage:	AC85-265V
Frequency range:	50~60HZ
LED source:	CREE XTE 220pcs LEDs
Housing	Aluminum
CCT:	2700K-7000K
Driver:	MEANWELL driver
lumen:	46000-47600lm
Power facotor:	PF>0.97
Lamp's efficiency:	>85%
Working Ambient temperature&Humidity:	-25~+50°C RH15~95%)
IP rate:	IP65
warranty	5years
Certificates	CE ROHS

## Actual features:

### 01 Three major technological innovation

1. We master high power led lamp cooling technology. It can replace 600W-1000W HPS with energy saving rate up to 50%.

2. With four core technology: HDT, FIN fastening, zipped-fins, Seamless fitting, PC cooler achieves better heat sink. It is with light weight, stronger, easier-assembly and better-dissipation.

3. Modular design, with diverse power arrange, a full product series.



### 02 Scope of Application:

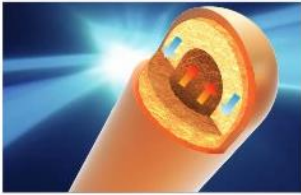
Extensively applied in industrial workshops, stadiums, docks, golf courses, construction lighting, square... it can replace the traditional metal halide and high pressure sodium light.

## 03 Four the design highlights



### Bracket Angle 216 °

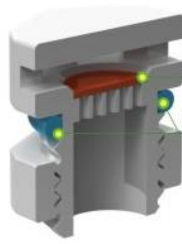
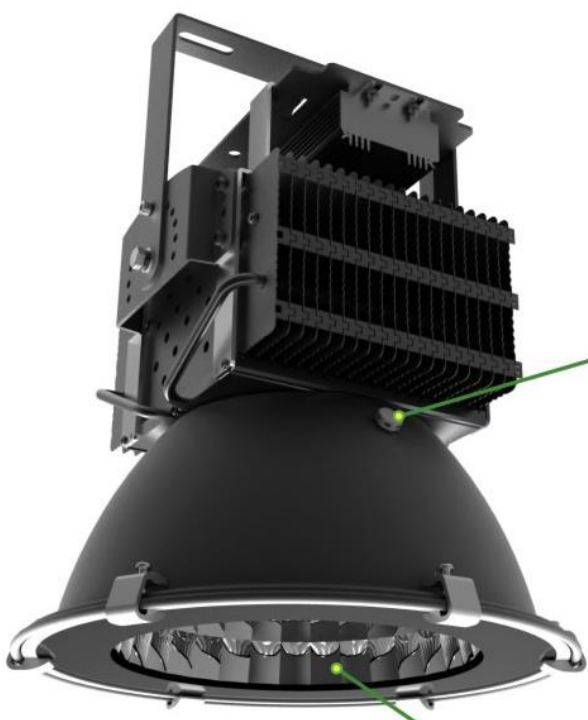
Mounting Bracket is with 13 adjustable point, 216°adjustable , installation angle can be adjusted freely.



### Copper heatpope

Heat pipe by using the theory of heat transfer and refrigeration, rapid heat transfer properties of the medium to transfer heat quickly to the heat source, thermal capacity than any known metal.





E-PTFE Breathable membrane

Waterproof silicone ring

### Respirator design

Waterproof design, eliminating mist, avoiding condensation, improving quality, extending the life span.



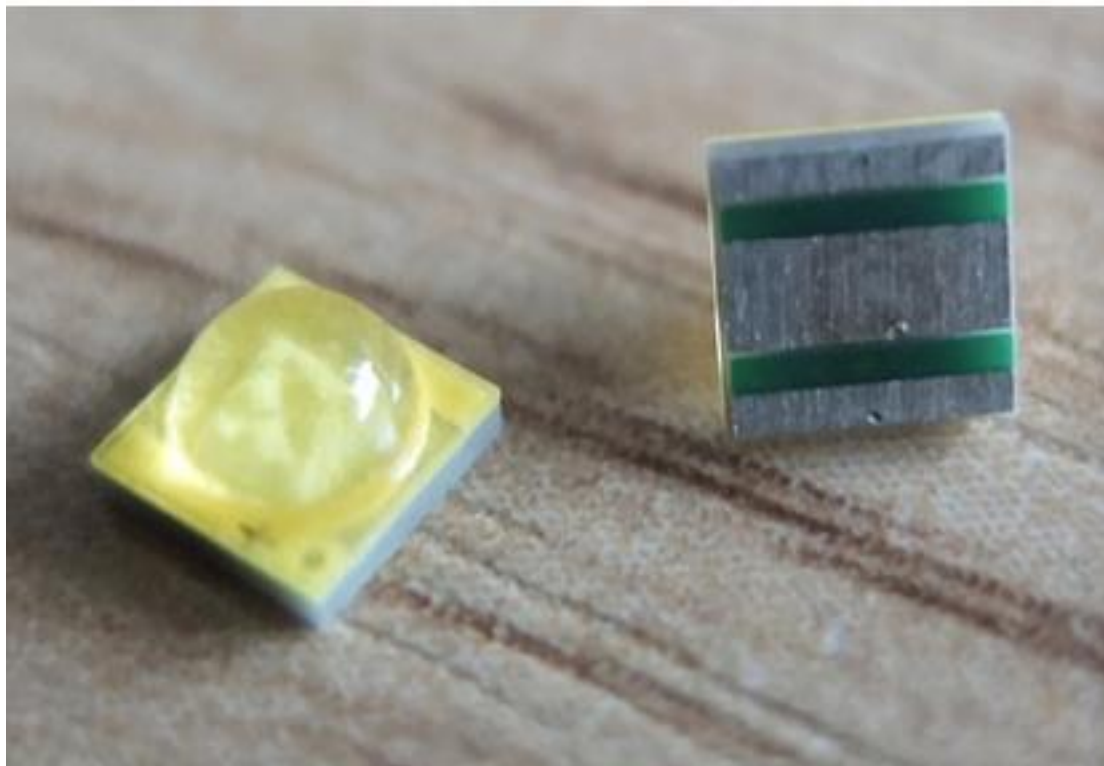
### Reflector reflection rate is up to 92%

The Angle of the reflective 25° 45° 60° 90° 100° , reflection rate is up to 92%.

# 04 Heat dissipation suite shows



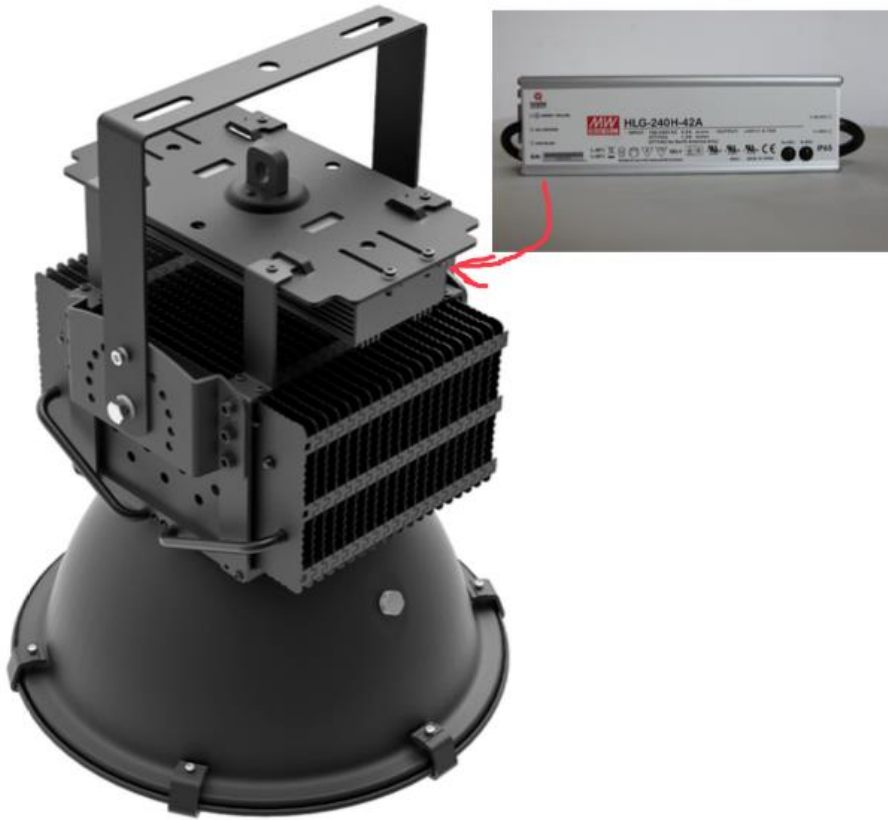
LED Chip original CREE XTE:







Meanwell power supply:



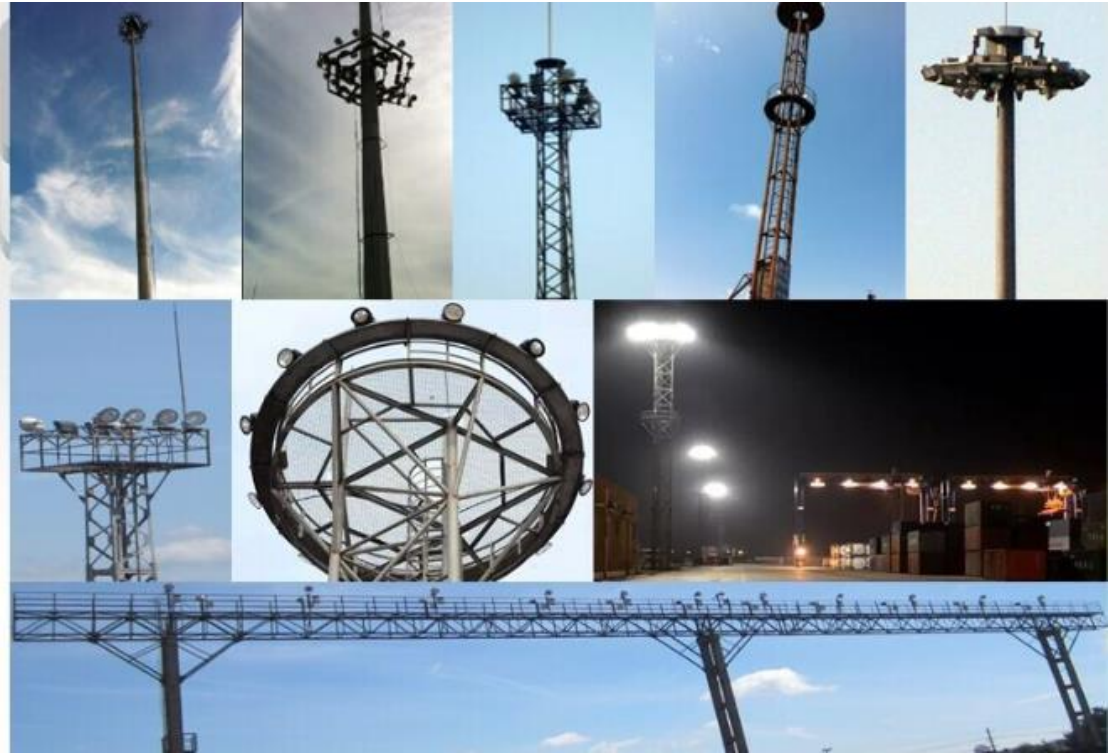
**Actual pictures:**





**Application:**





**Packing:**

